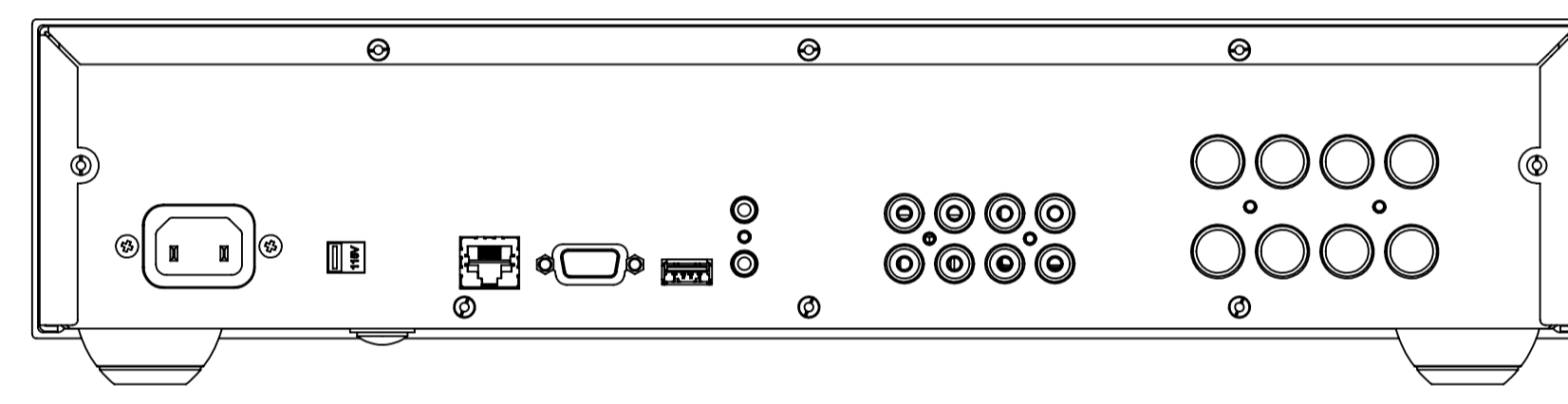
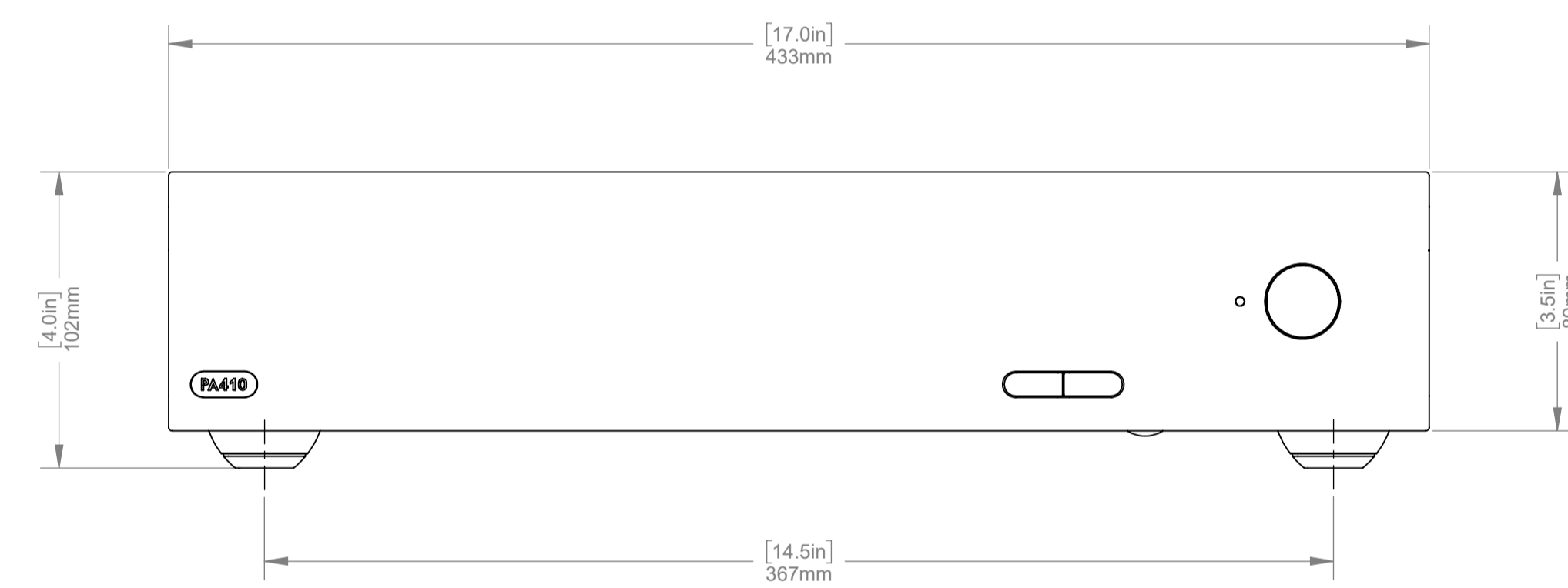
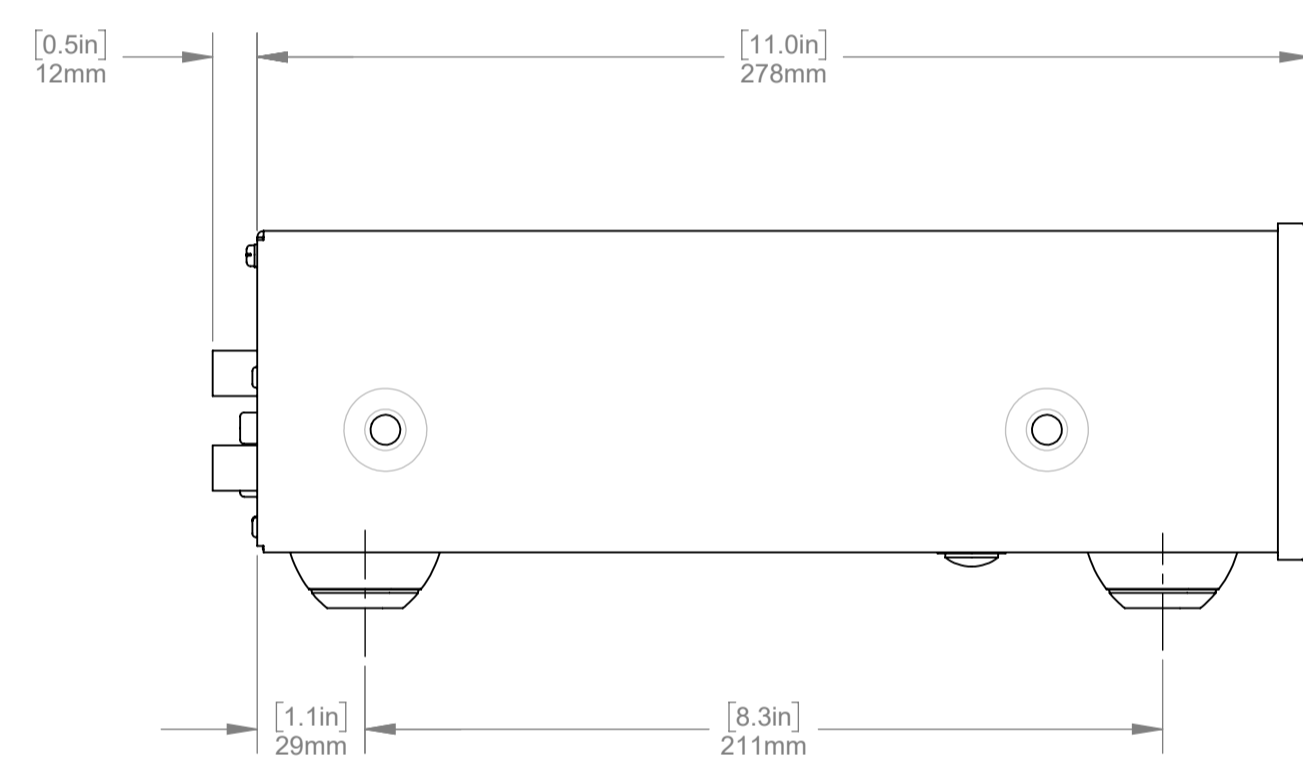
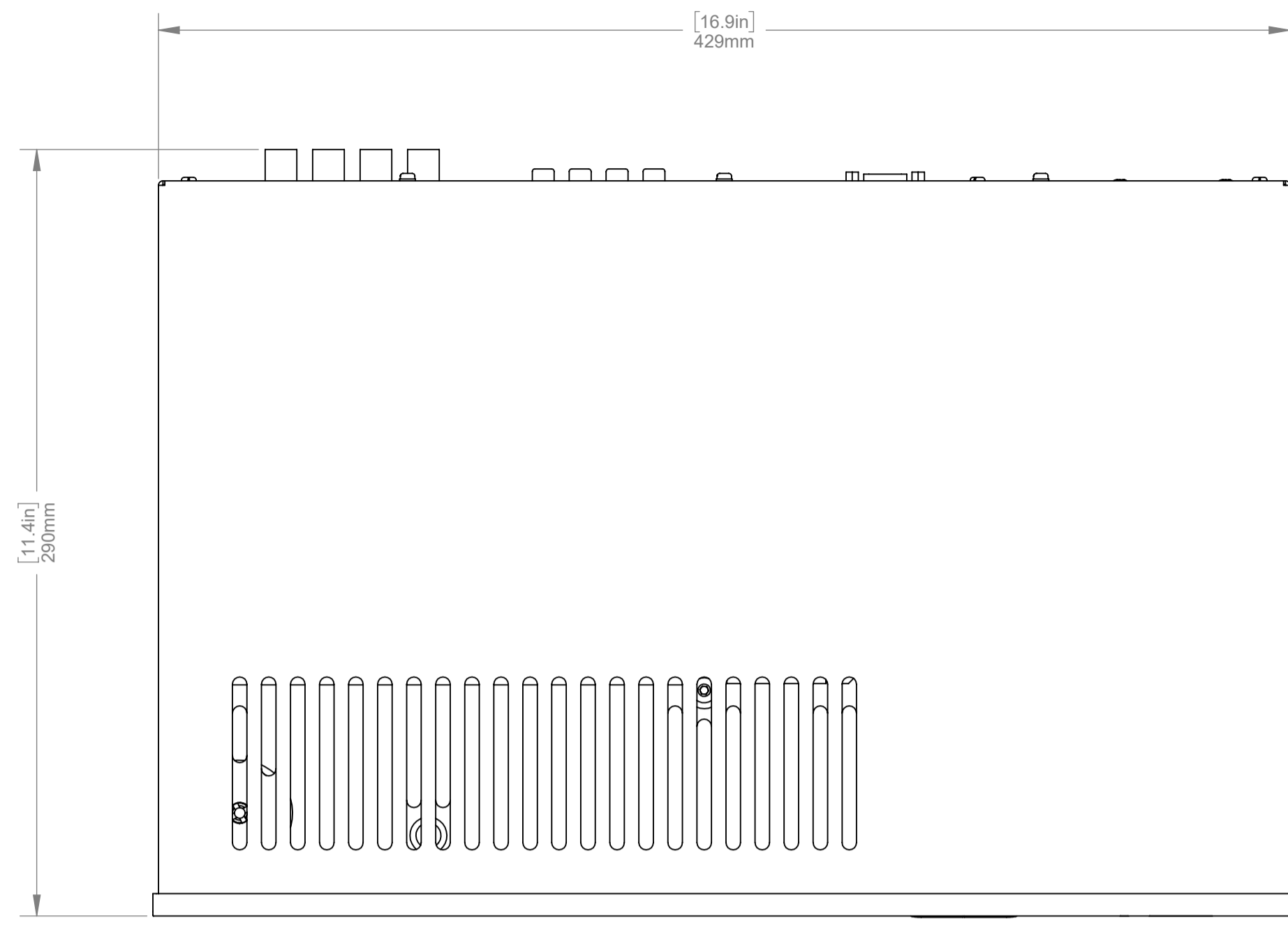
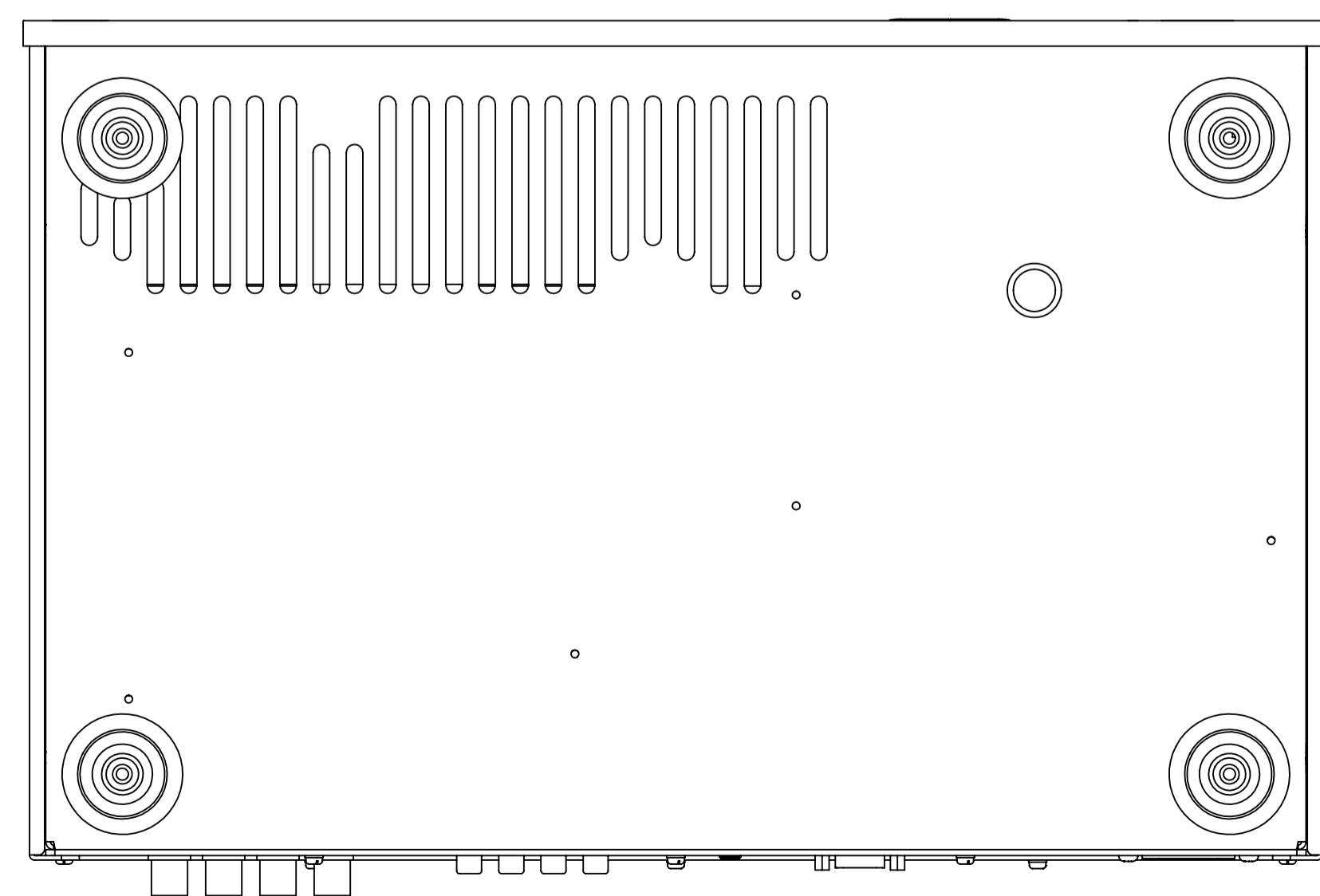


ECO NR.	DATE	CHG.	ZONE	DESCRIPTION OF CHANGE	REL.	DR.	CHK.
--	--	--	--	--	--	--	--
--	--	--	--	--	--	--	--
--	--	--	--	--	--	--	--
--	--	--	--	--	--	--	--



REAR VIEW



**NOTE:**  
ALLOW ADEQUATE CLEARANCE  
AROUND THE PRODUCT FOR  
VENTILATION & CONNECTION

<b>ARCAM</b> A & R CAMBRIDGE LTD	LINEAR TOLERANCE: ±0.2MM UNLESS OTHERWISE STATED	ALL DIMENSIONS IN MILLIMETERS UNLESS OTHERWISE STATED	DRAWN BY: MCM
			DATE: 1-5-2019
MATERIAL:		CHECKED BY: --	
FINISH:		ORIGINAL SCALE 1:2.5	
PART NUMBER AND DRAWING NUMBER <b>PA410</b>			
DRAWING TITLE <b>PA410 ASSEMBLY</b>		A1	

